



Kepler Image Time Stamp

Accurate, Sensitive, Waterproof

Kepler Image Time Stamp

The Kepler Image Time Stamp (KITS) is an embedded receiver and antenna that plugs directly into the Kepler's 8-pin AUX port. When the antenna has locked on to a GPS or GLONASS signal, it automatically includes the start time and stop time for an image. *

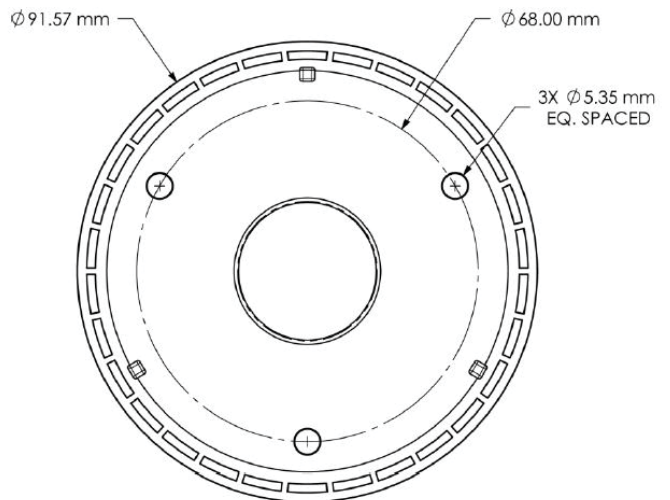
The KITS module was developed to combat the relative inaccuracies of a PC's clock, allowing the user to accurately record the initiation and length of an exposure. The module relies on GPS to set the time and synchronize the internal clock to the GPS second.

* Includes the start time, latitude, and longitude in an image's FITS header (UTC, Greenwich Time).



Kepler compatible

KITS Mounting Information



Compatibility	GPS, GLONASS
Waterproof	IEC 60529 IPX7
GPS Sensitivity	-185 dBW (min)
Time Stamp Accuracy*	+/- 1 Microsecond
Satellites in View	Up to 12
Reported	UTC, Lat/Long
Weight	201 g
Diameter	96.1mm
Height	49.5mm
Operating Temperature	-30C to +80C
Storage Temperature	-40C to +290C

* Contact FLI for improved 100 nanosecond accuracy

Quality. Cooled. Cameras.

Finger Lakes Instrumentation LLC
 www.flicamera.com · 1250 Rochester St. · Lima NY 14485 USA · 585-624-3760

©2018 Finger Lakes Instrumentation LLC